

# UNIPRESS

## Collar and Cuff Presses



F3TB Blouse Collar & Cuff

### F FRAME Collar & Cuff Presses

- Highly Polished Plated Heads
- High Pressure 5" Diameter Squeeze Cylinder
- Microprocessor Controls w/Timer
- Self Diagnostics
- Two Hand Safety Controls
- Designed and Manufactured in USA



F3T Collar & Cuff



3TZ Collar & Cuff Press

### Z FRAME Collar & Cuff Presses

- Highly Polished Plated Heads
- High Pressure 8" Diameter Squeeze Cylinder
- Microprocessor Controls w/Timer
- Self Diagnostics
- Two Hand Safety Controls
- Designed and Manufactured in USA



Finishes  
2 shirts  
at once.

WGZ Collar & Cuff Press



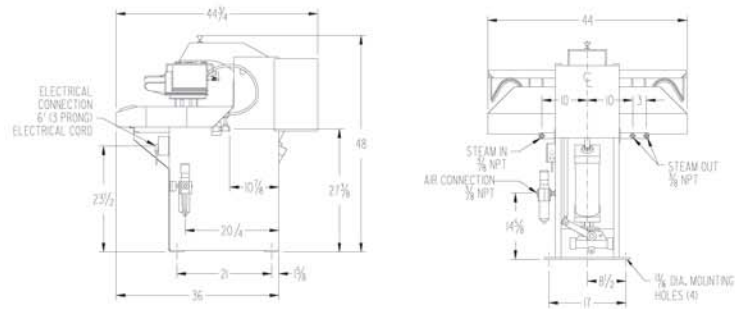
Q4T Collar & Cuff Press

### Quad Collar & Cuff Presses

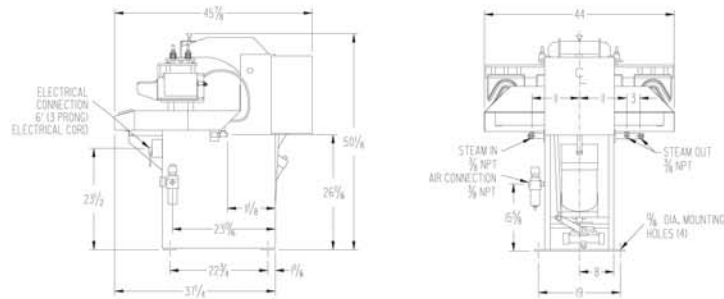
- Ultra High Production
- High Pressure 8" Diameter Squeeze Cylinder
- Smooth Fast Transfer
- Microprocessor Controls w/Timer
- Self Diagnostics
- Two Hand Safety Controls
- Designed and Manufactured in USA

# TECHNICAL DATA

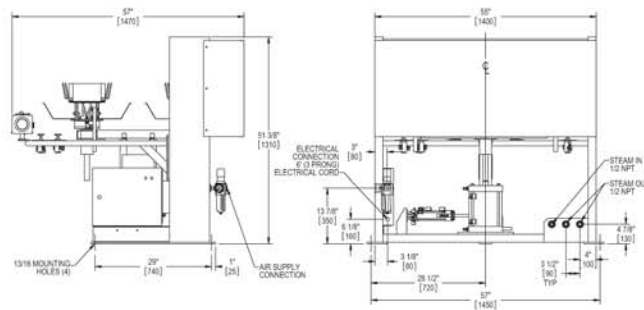
## F Frame



## Z Frame



## Q Frame

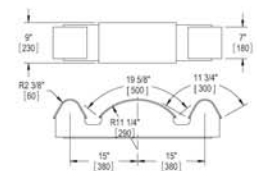


## SPECIFICATIONS

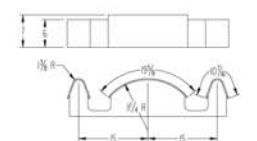
	F3T - F3TB		3TZ - WCZ		Q4T	
Overall Height	48"	1220mm	50 1/8"	1273 mm	51"	1295 mm
Overall Length	42 3/4"	1083mm	45 7/8"	1164 mm	47"	1447 mm
Overall Width	44"	1118mm	44"	1118 mm	55"	1397 mm
Steam Inlet (1)	3/8" NPT	3/8" NPT	3/8" NPT	3/8" NPT	1/2" NPT	1/2" NPT
Steam Outlet (2)	3/8" NPT	3/8" NPT	3/8" NPT	3/8" NPT	1/2" NPT	1/2" NPT
Steam Supply	100 - 125 PSI	7-9 Bar	100-125 PSI	7-9 Bar	100-125 PSI	7-9 Bar
Boiler Horsepower	3/4 BHP	8 kg/hr	3/4 HP	8 kg/hr	1 1/2 HP	16 kg/hr
Air Inlet	3/8" NPT	3/8" NPT	3/8" NPT	3/8" NPT	3/8" NPT	3/8" NPT
Air Consumption/cycle	1 Cu. Ft.	28 lit/cyc	1.75 Cu. Ft.	50 lit/cyc	2 Cu. Ft.	56 lit/cyc
Air Supply	85 PSI 6 Bar	6 Bar	85 PSI	6 Bar	65 PSI	4.5 Bar
Electrical	115/1/60	230/1/50	115/1/60	230/1/50	115/1/60	230/1/50
Amperage	1/2 AMP	1/2 AMP	1/2 AMP	1/2 AMP	1/2 AMP	1/2 AMP
Net Weight	800 lbs.	325 kgs	1000 lbs.	410 kgs	1200 lbs.	480 kgs

## BUCK DIMENSIONS

### F3T/3TZ/WCZ/Q4T Collar & Cuff



### F3TB Boys Collar & Cuff



# UNIPRESS

3501 Queen Palm Drive Tampa, Florida 33619

Telephone (623) 623-3731 FAX (813) 626-2565

www.unipresscorp.com